



Architect/Engineering Specifications:

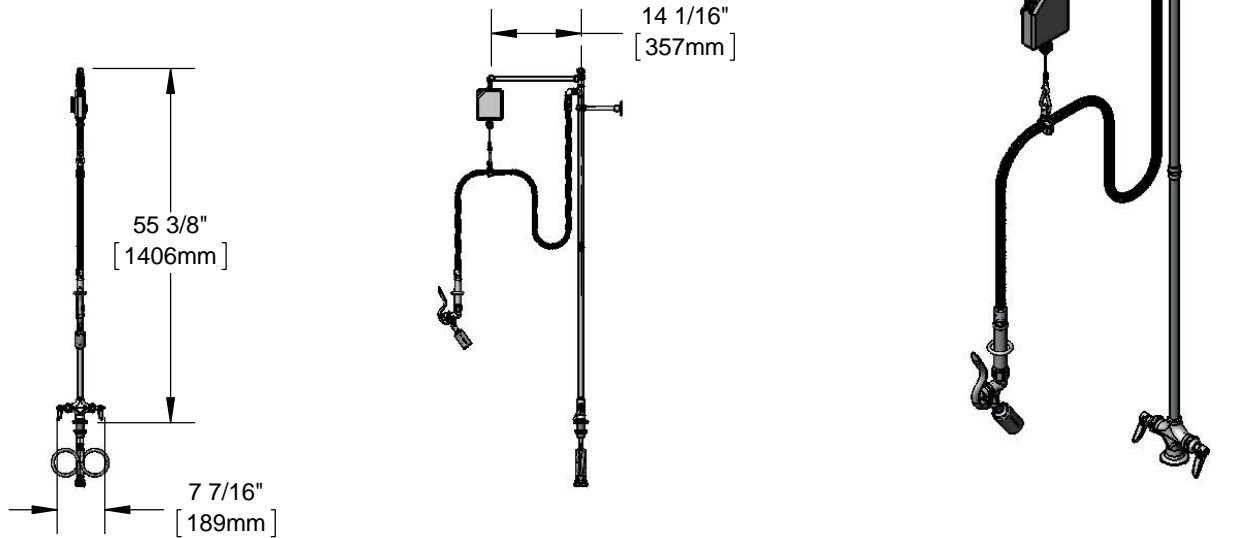
Single hole deck mount mixing faucet with polished chrome plated brass body, 24" risers, 3/8" NPT pipe coupling, swivel elbow, 68" flexible stainless steel hose with heat resistant handle, 0.65 GPM angled low flow spray valve, ceramic cartridges with check valves, lever handles, 18" flexible stainless steel supply hoses w/ 1/2" NPSM / 5/8" compression connections, overhead swivel extension arm with balancer and 6" adjustable wall bracket. Certified to ASME A112.18.1/CSA B125.1, NSF 61-Section 9 and NSF 372. EPAAct 2005 compliant.

Job Name _____

Model Specified _____ Quantity _____

Variations Specified _____

Date _____



Features & Benefits:

- Single hole deck mount mixing faucet with polished chrome plated brass body
- Two 24" rigid risers w/ pipe coupling
- Swivel elbow assembly
- 68" flexible stainless steel hose w/ heat resistant gray handle and hold down ring
- 0.65 GPM angled low flow spray valve
- Cerama cartridges w/ check valves to prevent cross flow of water
- Lever handles w/ color coded indexes
- 18" flexible stainless steel supply hoses w/ 1/2" NPSM / 5/8" Compression Connections
- Overhead swivel extension arm with adjustable tension balancer
- 6" adjustable wall bracket
- Material: Polished chrome plated brass body, riser, swivel arm & spray valve body, stainless steel hose, and chrome plated metal handles

Product Compliance:

- ASME A112.18.1 / CSA B125.1
- NSF 61 - Section 9
- NSF 372 (Low Lead Content)
- EPAAct 2005 (PRSV)



Warranty: One Year (Limited)

- Cerama Cartridge: Lifetime (Limited)

Performance Data:

- Pressure: 20 - 125 psi
- Temperature: 40°F - 140°F
- Flow Rate: 0.65 GPM @ 60 psi

Optional Handles

- 4" Wrist Action
- Lever (Standard)
- 4-Arm

Optional Cartridges With Checks

- Quarter Turn Cerama w/ Check Valve (Standard)
- Quarter Turn Eterna w/ Spring Check

Optional Pre-Rinse Spray Valves

- B-0107 (1.42 GPM)
- B-0107-C (0.65 GPM)
- B-0107-J (1.07 GPM)
- B-0108 (1.48 GPM)
- B-0108-C (0.65 GPM)

